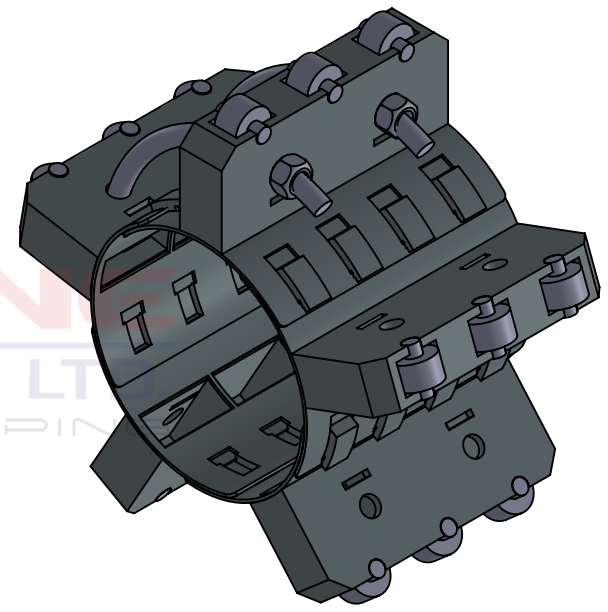
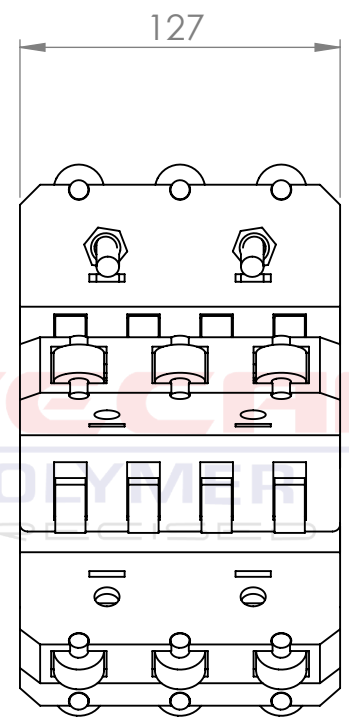
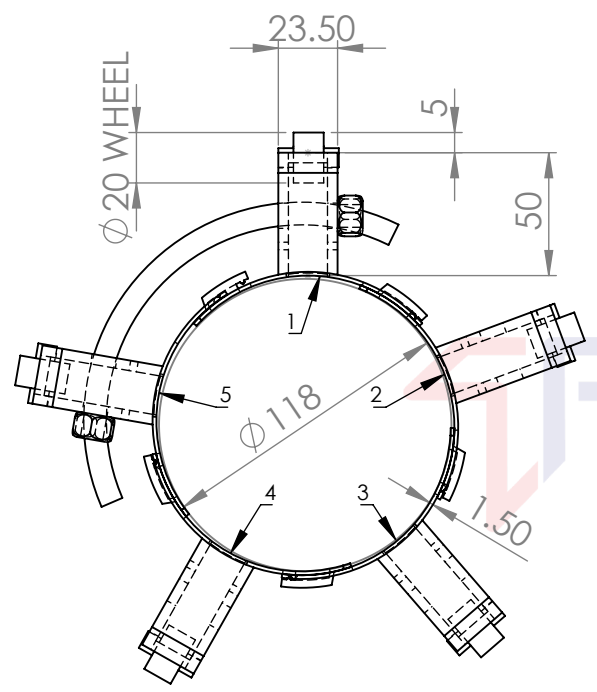


6 5 4 3 2 1


D
C
B
A

D
C
B
A



ALL DIMENISONS ARE IN MM

NOTE:
All the details and concept here are developed by Tecafine Polymer Pvt. Ltd. after continues research and development and is the intellectual property of Tecafine Polymer Pvt. Ltd. This design is in process of being patented. Any unauthorised review, use, desclosure, dissemination forwarding, printing or copying of this information or any action taken in credence on this inforamation is prohibited.

	NAME	DATE		DIA 118 MM TIE SPACER	A4
DRAWN BY	MOHIT	28-10-2021			
APPD BY	VIPUL	28-10-2021			
CLIENT					
REV NO.					
-CONFIDENTIAL THE INFORMATION CONTAINED IN THIS DRAWING IS THE SOLE PROPERTY OF ORIGINATING COMPANY ANY PRODUCTION IN PARTIALLY OR WHOLE WITHOUT PERMISSION IS PROHIBITED			TITLE:		
WEIGHT:			DWG NO. TPPL/2021-22/0260		
			SCALE:1:3	MATERIAL: HDPE	

6 5 4 3 2 1