

6 5 4 3 2 1

D

D

C

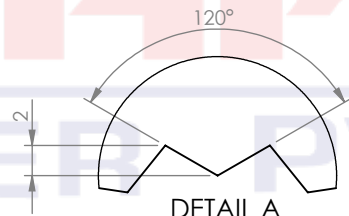
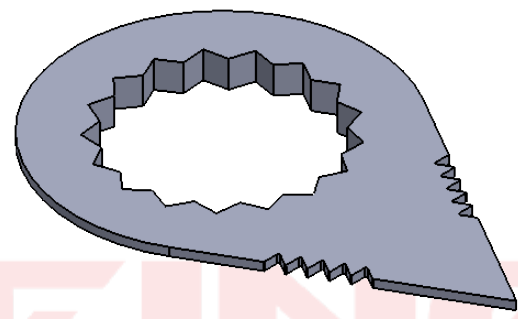
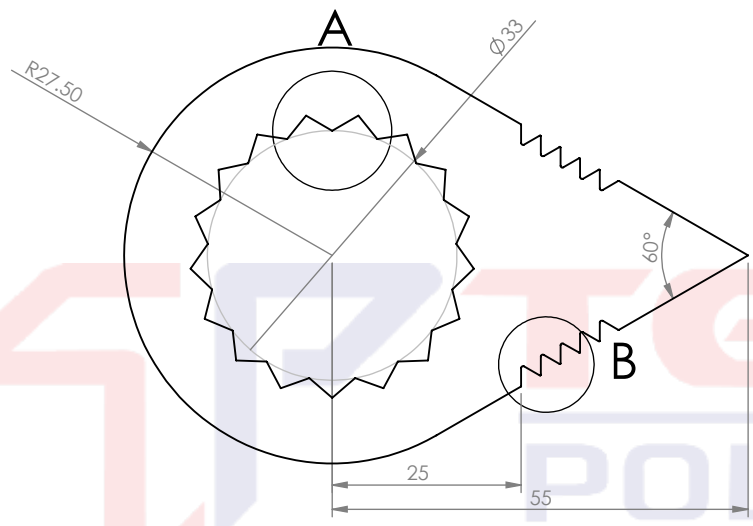
C

B

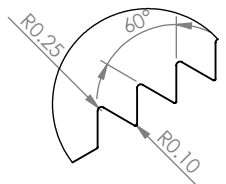
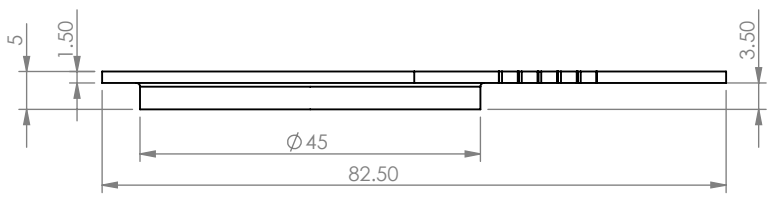
B

A

A



DETAIL A  
SCALE 2 : 1




DETAIL B  
SCALE 2 : 1

All Dimensions are in MM

**NOTE:**

All the details and concept here are developed by Tecafine Polymer Pvt. Ltd. after continues research and development and is the intellectual property of Tecafine Polymer Pvt. Ltd. This design is in process of being petented. Any unauthorised review, use, desclosure, dissemination forwarding, printing or copying of this information or any action taken in credence on this information is prohibited.

	NAME	DATE	
DRAWN BY	SAGAR	03-Aug-24	
APPD BY	VIPUL	03-Aug-24	
CLIENT			
PROJECT			
-CONFIDENTIAL THE INFORMATION CONTAINED IN THIS DRAWING IS THE SOLE PROPERTY OF ORIGINATING COMPANY ANY PRODUCTION IN PARTIALLY OR WHOLE WITHOUT PERMISSION IS PROHIBITED			TITLE: Loose Wheel Nut Indicator
			A4
WEIGHT:		SCALE:1:1	MATERIAL:
		DWG NO. TPPL/2024-25/3090	

6 5 4 3 2 1