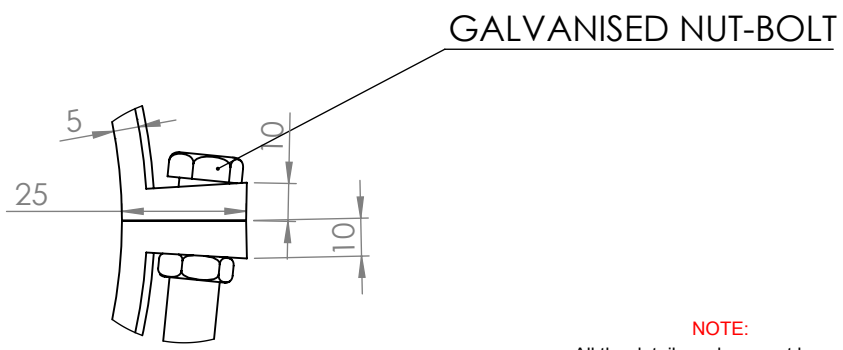
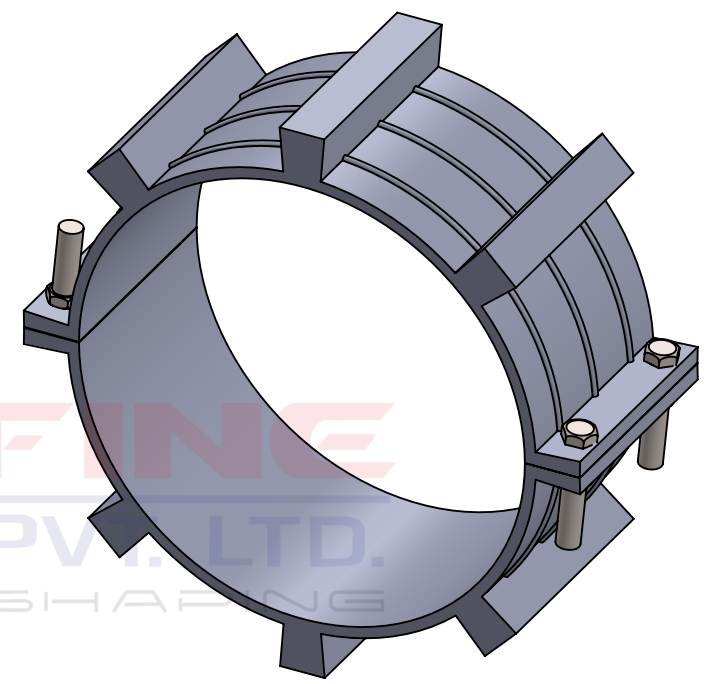
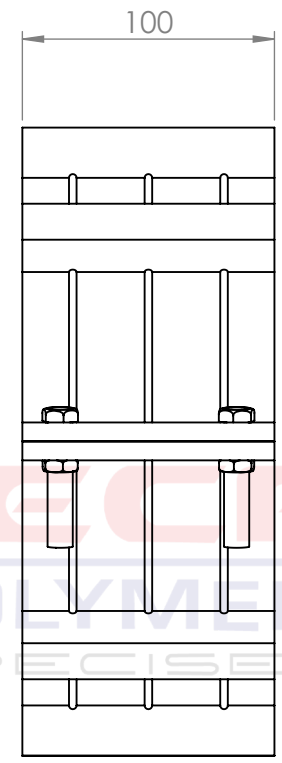
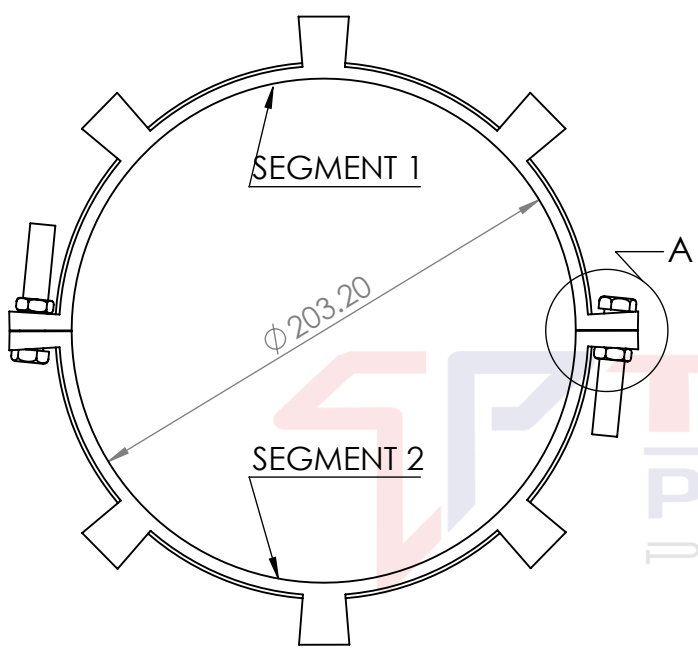


6 5 4 3 2 1

D  
C  
B  
A




LENGTH OF ALL SEGMENT = 314 MM

ALL DIMENSIONS ARE IN MM

DETAIL A  
SCALE 2 : 3

**NOTE:**  
All the details and concept here are developed by Tecafine Polymer Pvt. Ltd. after continues research and development and is the intellectual property of Tecafine Polymer Pvt. Ltd. This design is in process of being patented. Any unauthorised review, use, desclosure, dissemination forwarding, printing or copying of this information or any action taken in credence on this inforamation is prohibited.

	NAME	DATE	
DRAWN BY	MOHIT	15-07-2021	
APPD BY	VIPUL	15-07-2021	
CLIENT			
REV NO.			
-CONFIDENTIAL THE INFORMATION CONTAINED IN THIS DRAWING IS THE SOLE PROPERTY OF ORIGINATING COMPANY ANY PRODUCTION IN PARTIALLY OR WHOLE WITHOUT PERMISSION IS PROHIBITED			TITLE: <b>8 INCH SEGMENTED</b>
WEIGHT:	DWG NO. <b>TPPL/2021-22/0149</b>		A4
	SCALE:1:3	MATERIAL: <b>HDPE</b>	

6 5 4 3 2 1

D  
C  
B  
A