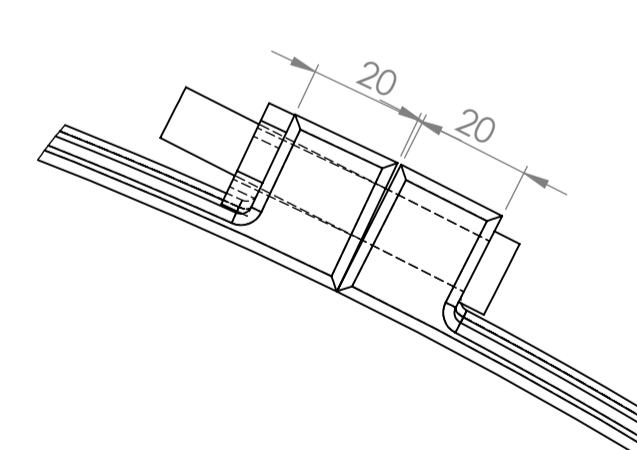
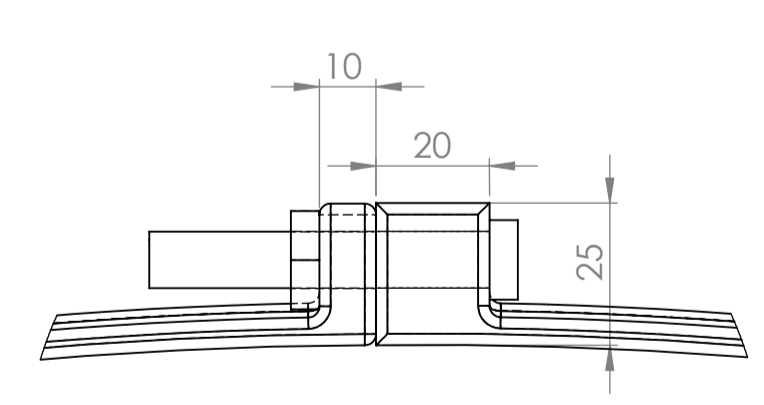


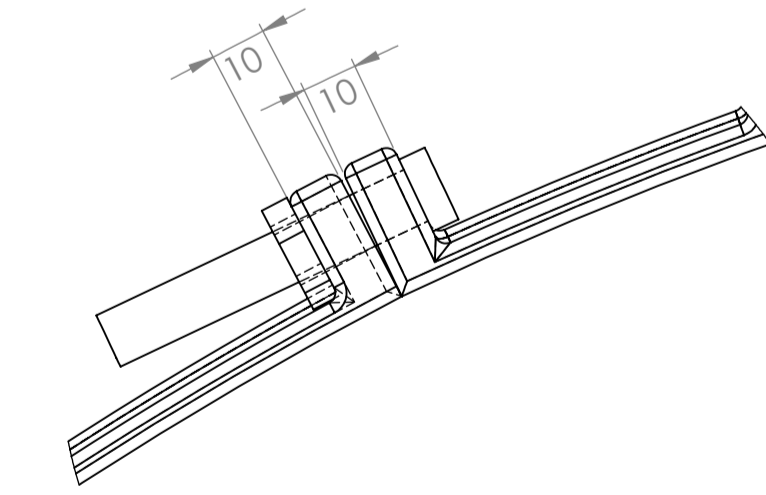
TECAFINE
POLYMER PVT. LTD.
PRECISED SHAPING



DETAIL A
SCALE 3 : 4



DETAIL B
SCALE 3 : 4



DETAIL C
SCALE 3 : 4

- LENGTH OF SEGMENT 1 = 334 MM
- LENGTH OF SEGMENT 2 = 334 MM
- LENGTH OF SEGMENT 3 = 334 MM
- LENGTH OF SEGMENT 4 = 334 MM
- LENGTH OF SEGMENT 5 = 334 MM
- LENGTH OF SEGMENT 6 = 334 MM
- LENGTH OF SEGMENT 7 = 334 MM
- LENGTH OF SEGMENT 8 = 334 MM
- LENGTH OF SEGMENT 9 = 334 MM
- LENGTH OF SEGMENT 10 = 334 MM
- LENGTH OF SEGMENT 11 = 334 MM
- LENGTH OF SEGMENT 12 = 334 MM
- LENGTH OF SEGMENT 13 = 157 MM
- LENGTH OF SEGMENT 14 = 314 MM

NOTE:
All the details and concept here are developed by Tecafine Polymer Pvt. Ltd. after continues research and development and is the intellectual property of Tecafine Polymer Pvt. Ltd.
This design is in process of being patented. Any unauthorised review, use, disclosure, dissemination, forwarding, printing or copying of this information or any action taken in credence on this information

NAME	DATE
DRAWN BY: MOHIT	19/02/2020
APPROD BY: VIFUL	19/02/2020
CLIENT	
REV NO	

ALL DIMENSIONS ARE IN MM

HDPE SEGMENTED SPACER OF DIA 56 INCH

DWG NO. TPPL/2019-20/0203

SCALE: 1:10

MATERIAL: HDPE

A1