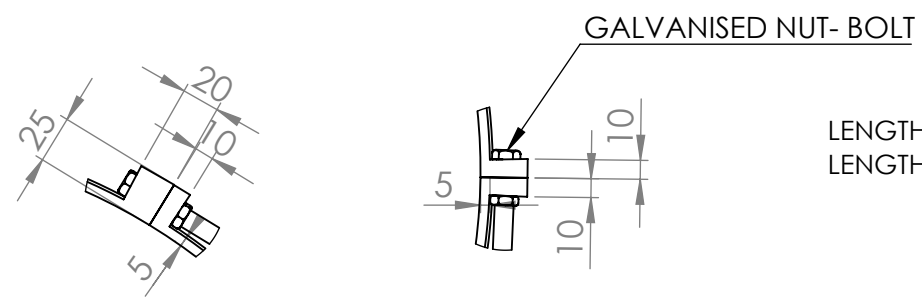
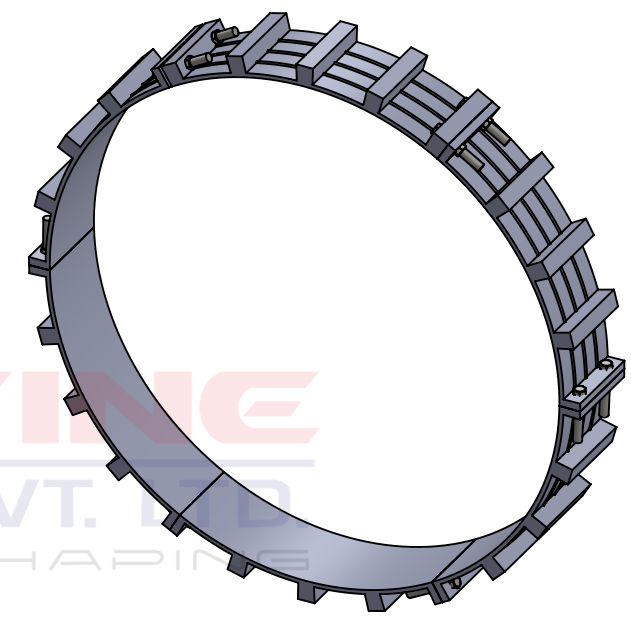
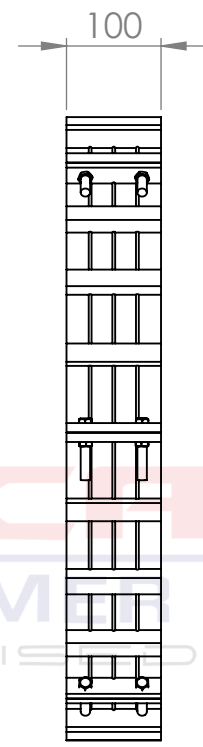
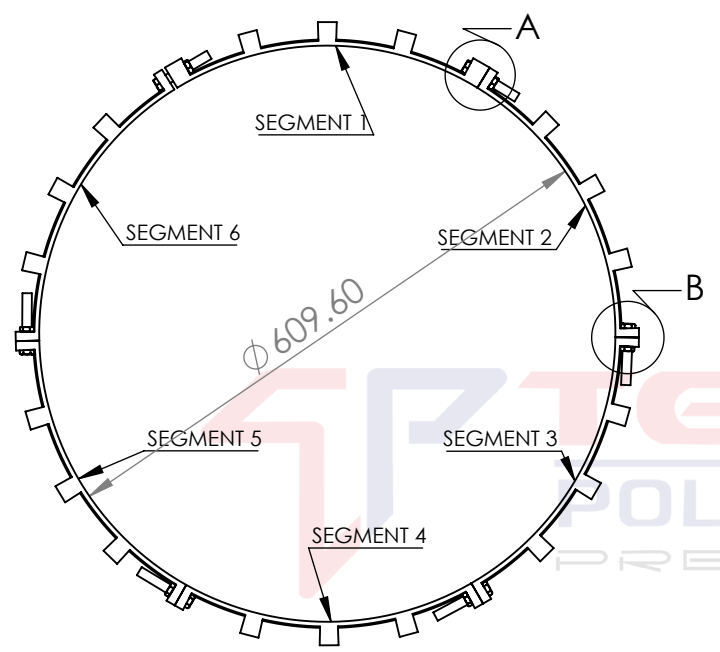


6 5 4 3 2 1



LENGTH OF SEGMENT NO 1 = 334 MM
 LENGTH OF SEGMENT NO 2 TO 6 = 314 MM

NOTE:
 All the details and concept here are developed by Tecafine Polymer Pvt. Ltd. after continues research and development and is the intellectual property of Tecafine Polymer Pvt. Ltd. This design is in process of being patented. Any unauthorised review, use, desclosure, dissemination forwarding, printing or copying of this information or any action taken in credence on this information is prohibited.

ALL DIMENSIONS ARE IN MM

DETAIL A
SCALE 1 : 4

DETAIL B
SCALE 1 : 4

NAME	DATE		TITLE: 24 INCH SEGMENTED A4
DRAWN BY: MOHIT	15-07-2021		
APPD BY: VIPUL	15-07-2021		
CLIENT			
REV NO.			
-CONFIDENTIAL THE INFORMATION CONTAINED IN THIS DRAWING IS THE SOLE PROPERTY OF ORIGINATING COMPANY ANY PRODUCTION IN PARTIALLY OR WHOLE WITHOUT PERMISSION IS PROHIBITED		DWG NO. TPPL/2021-22/0131	MATERIAL: HDPE
WEIGHT:		SCALE:1:8	

6 5 4 3 2 1

D
C
B
A

D
C
B
A