

6 5 4 3 2 1

D

C

B

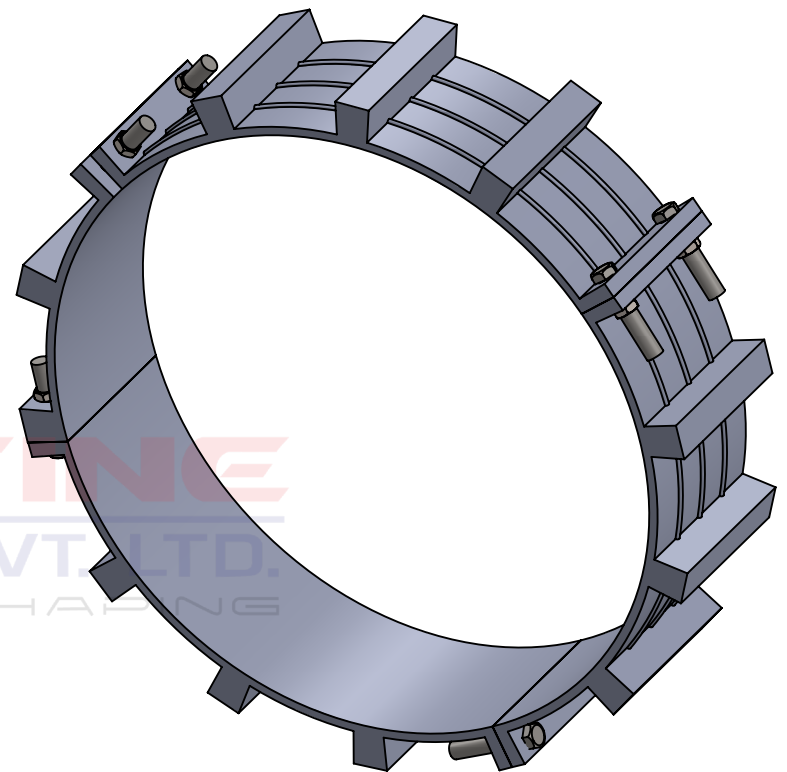
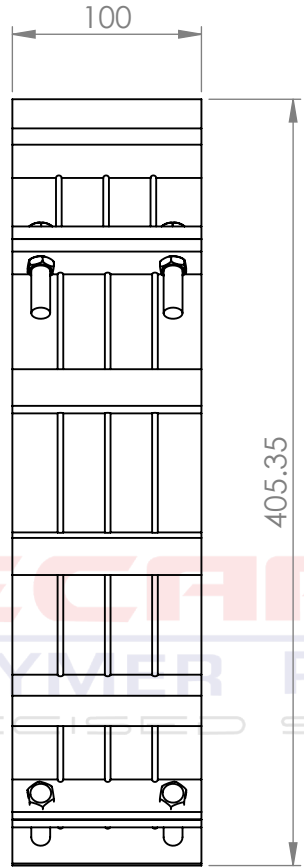
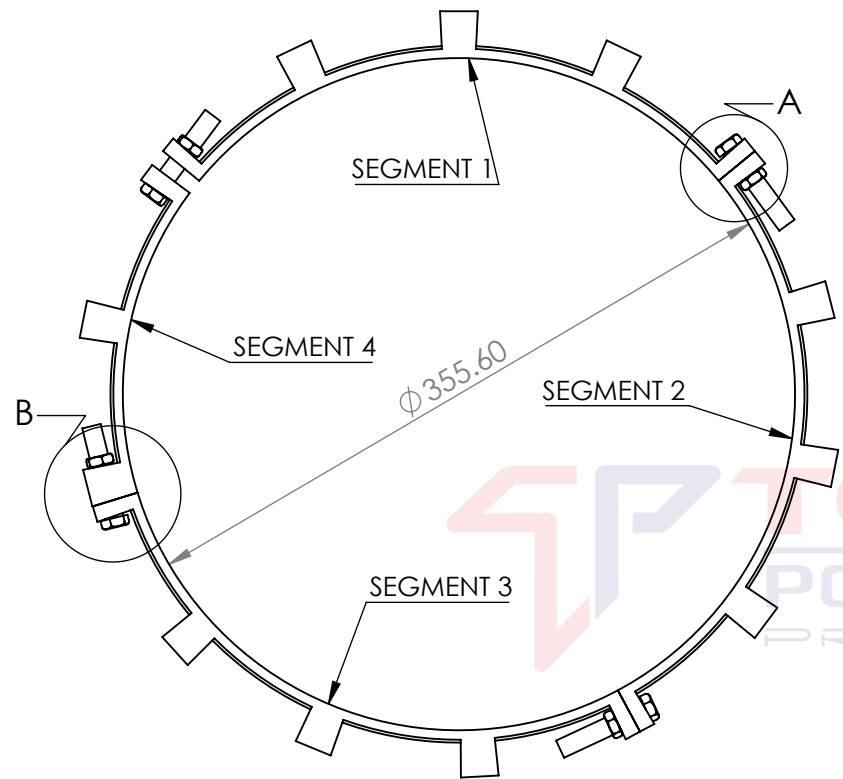
A

D

C

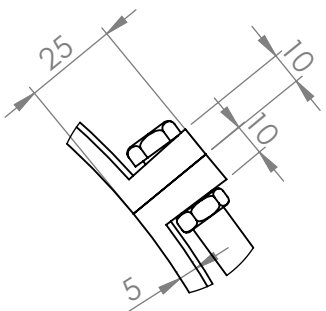
B

A

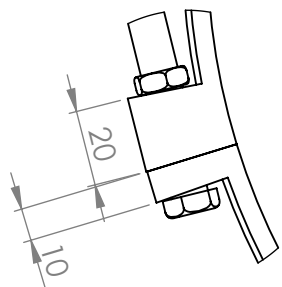


LENGTH OF SEGMENTS FROM NO.1 TO 3 = 314 MM  
 LENGTH OF SEGMENT NO.4 = 167 MM

ALL DIMENSIONS ARE IN MM



DETAIL A  
SCALE 1 : 2



DETAIL B  
SCALE 1 : 2

**NOTE:**  
 All the details and concept here are developed by Tecafine Polymer Pvt. Ltd. after continues research and development and is the intellectual property of Tecafine Polymer Pvt. Ltd. This design is in process of being patented. Any unauthorised review, use, disclosure, dissemination forwarding, printing or copying of this information or any action taken in credence on this information is prohibited.

	NAME	DATE
DRAWN BY	MOHIT	19-01-2021
APPD BY	VIPUL	19-01-2021
CLIENT		
REV NO.		
-CONFIDENTIAL-		
THE INFORMATION CONTAINED IN THIS DRAWING IS THE SOLE PROPERTY OF ORIGINATING COMPANY ANY PRODUCTION IN PARTIALLY OR WHOLE WITHOUT PERMISSION IS PROHIBITED		
WEIGHT:		



TITLE:	<b>DIA 14 INCH SEGMENTED</b>	A4
DWG NO.	TPPL/2020-21/0279	
SCALE:1:4		MATERIAL: <b>HDPE</b>

6 5 4 3 2 1