

6 5 4 3 2 1

D

C

B

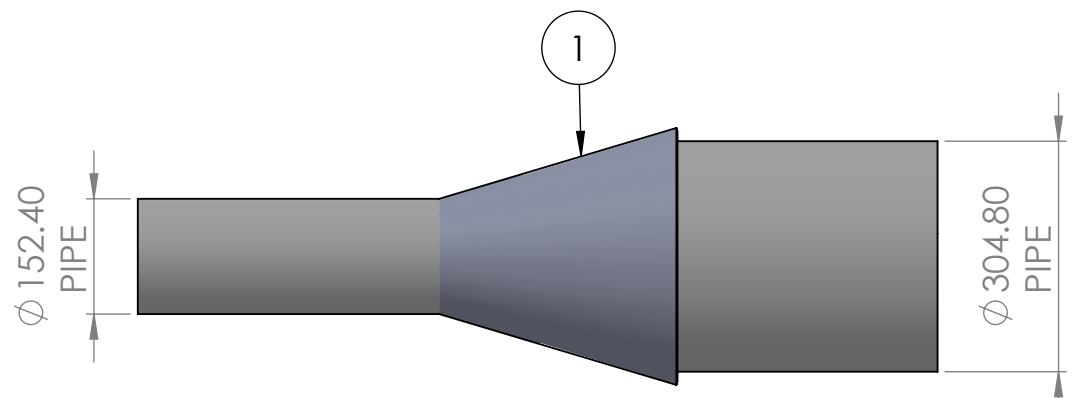
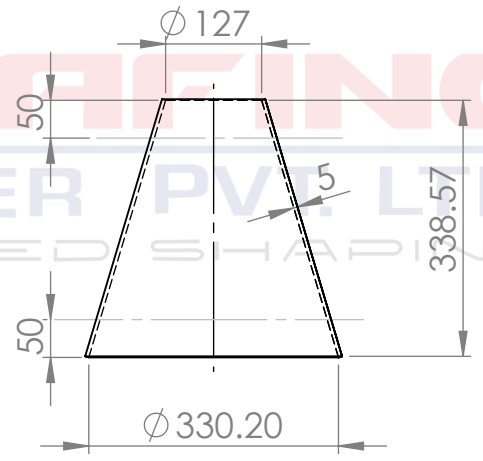
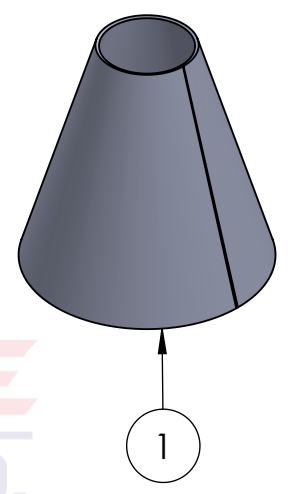
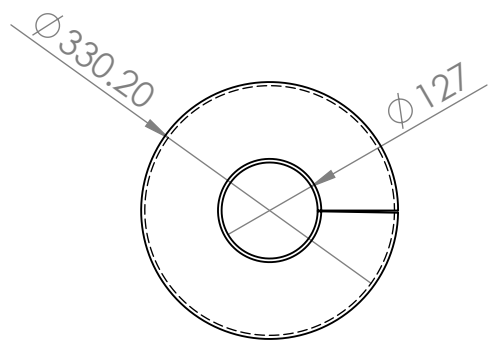
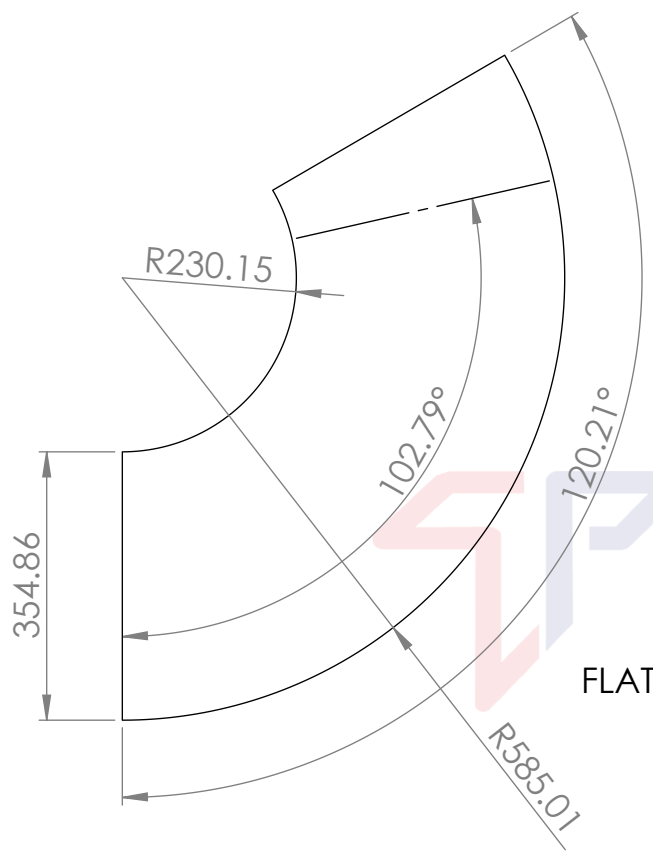
A

D

C

B

A



NOTE:
 All the details and concept here are developed by Tecafine Polymer Pvt. Ltd. after continues research and development and is the intellectual property of Tecafine Polymer Pvt. Ltd. This design is in process of being petented. Any unauthorised review, use, desclosure, dissemination forwarding, printing or copying of this information or any action taken in credence on this inforamtion is prohibited.

ALL DIMENSIONS ARE IN MM

	NAME	DATE		TITLE: 6-12 inch Sheet DWG NO. TPPL/2021-22/0060 SCALE:1:10 MATERIAL: RUBBER	A4
DRAWN BY	MOHIT	28-05-2021			
APPD BY	VIPUL	28-05-2021			
CLIENT					
REV NO.					
-CONFIDENTIAL THE INFORMATION CONTAINED IN THIS DRAWING IS THE SOLE PROPERTY OF ORIGINATING COMPANY ANY PRODUCTION IN PARTIALLY OR WHOLE WITHOUT PERMISSION IS PROHIBITED					

6 5 4 3 2 1