

D

D

C

C

B

B

A

A

6

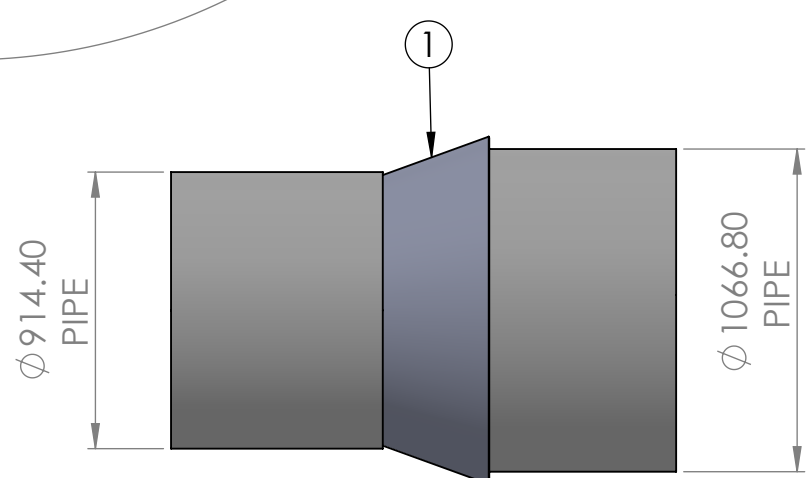
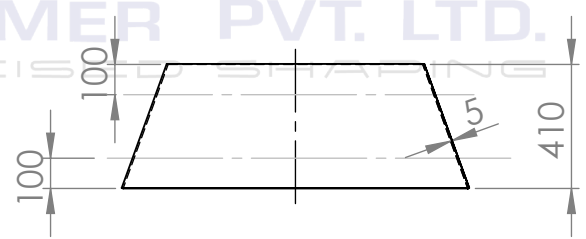
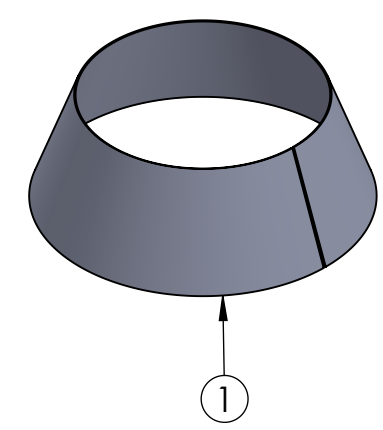
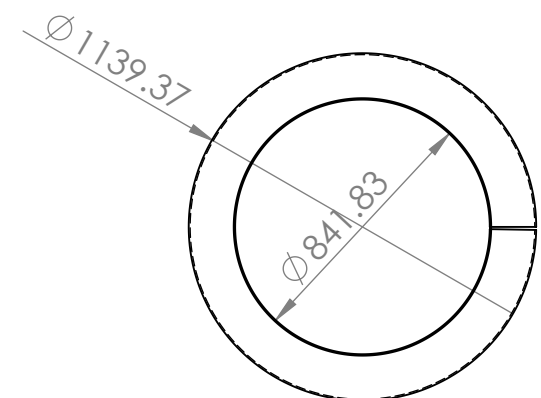
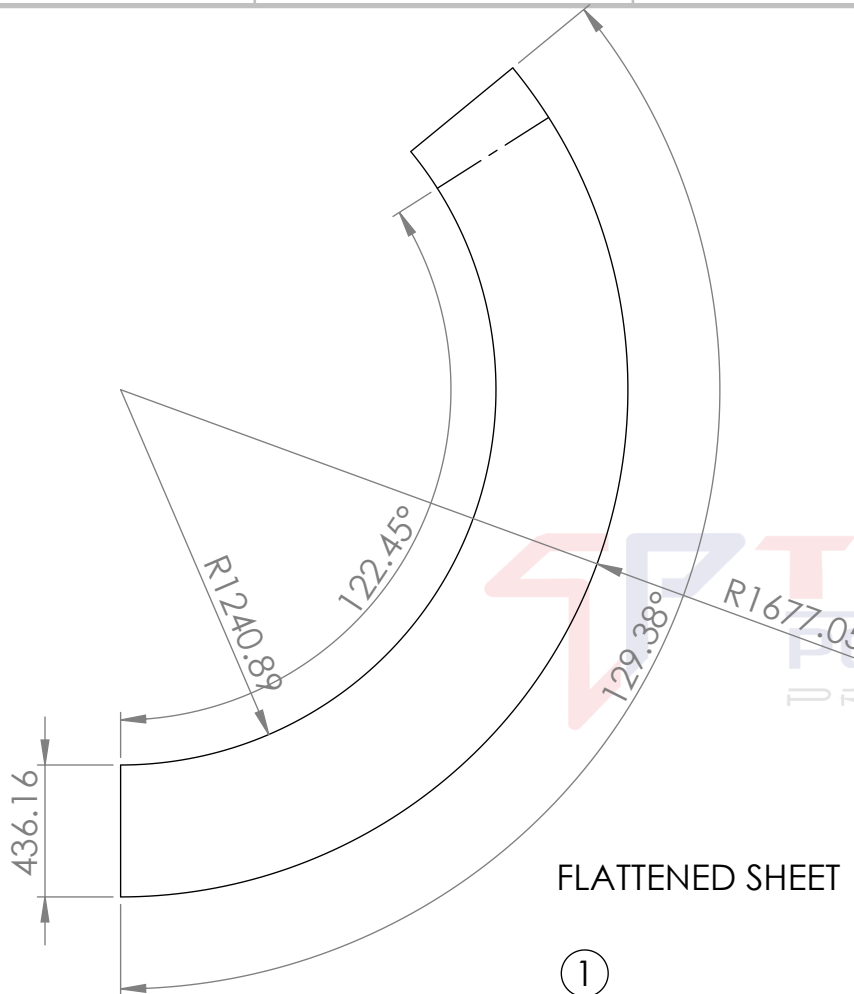
5

4

3

2

1



NOTE:
 All the details and concept here are developed by Tecafine Polymer Pvt. Ltd. after continues research and development and is the intellectual property of Tecafine Polymer Pvt. Ltd. This design is in process of being patented. Any unauthorised review, use, desclosure, dissemination forwarding, printing or copying of this information or any action taken in credence on this inforamation is prohibited.

ALL DIMENSIONS ARE IN MM

NAME	DATE		TITLE: 36 - 42 INCH RUBBER SHEET	A4
DRAWN BY: MOHIT	25-06-2021			
APPD BY: VIPUL	25-06-2021			
CLIENT				
REV NO.				
-CONFIDENTIAL THE INFORMATION CONTAINED IN THIS DRAWING IS THE SOLE PROPERTY OF ORIGINATING COMPANY ANY PRODUCTION IN PARTIALLY OR WHOLE WITHOUT PERMISSION IS PROHIBITED			DWG NO. TPPL/2021-22/0090	
WEIGHT:		SCALE:1:25	MATERIAL: RUBBER	

6

5

4

3

2

1