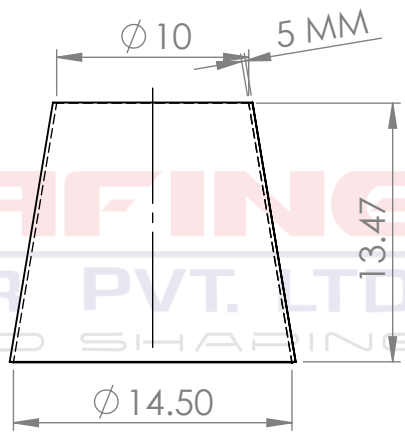


FLATTENED SHEET



WRAPPED SHEET

NOTE:
 All the details and concept here are developed by Tecafine Polymer Pvt. Ltd. after continues research and development and is the intellectual property of Tecafine Polymer Pvt. Ltd. This design is in process of being patented. Any unauthorised review, use, disclosure, dissemination forwarding, printing or copying of this information or any action taken in credence on this information is prohibited.

ALL DIMENSIONS ARE IN INCH UNLESS OR OTHERWISE SPECIFIED

	NAME	DATE	
DRAWN BY	MOHIT	25-11-2020	
APPD BY	VIPUL	25-11-2020	
CLIENT			
REV NO.			
-CONFIDENTIAL THE INFORMATION CONTAINED IN THIS DRAWING IS THE SOLE PROPERTY OF ORIGINATING COMPANY ANY PRODUCTION IN PARTIALLY OR WHOLE WITHOUT PERMISSION IS PROHIBITED			TITLE: RUBBER SHEET
			DWG NO. TPPL/2020-21/0252
WEIGHT:			SCALE:1:10
			MATERIAL: RUBBER

A4