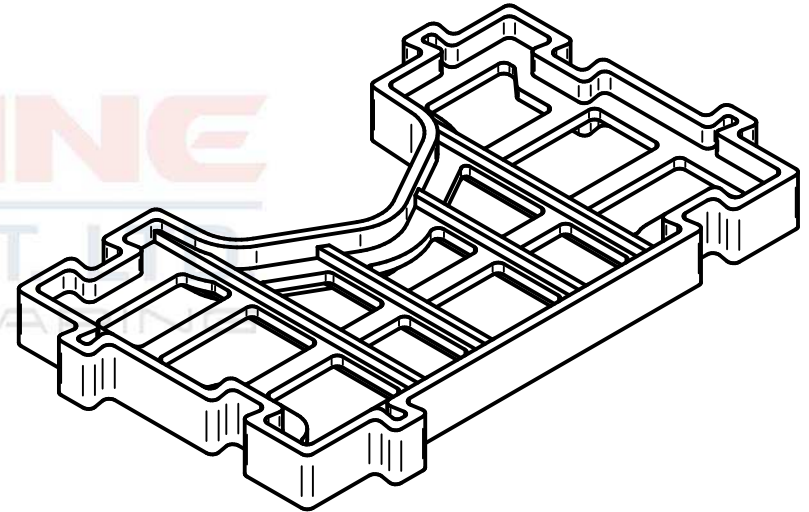
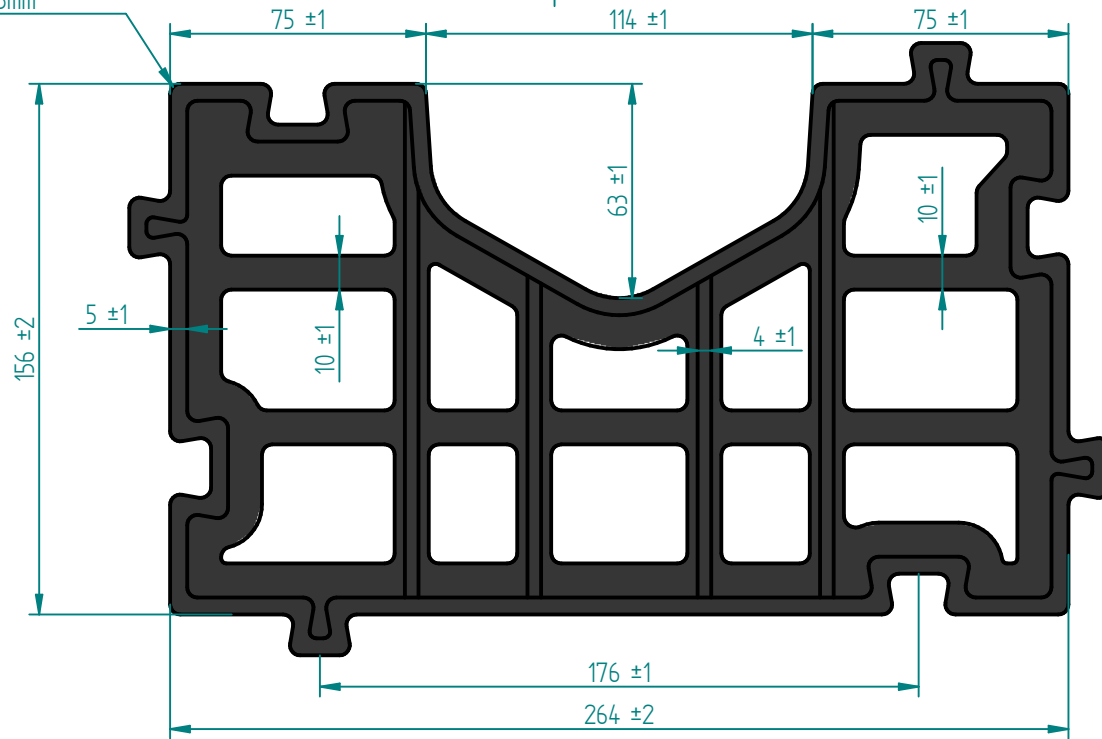


ALL FILLETS
R 3mm



	NAME	DATE		
DRAWN	Dhaval Patel	29-01-2019		
CHECKED	Vipul Parmar	29-01-2019		
MATERIAL	ABS			
DESIGNED FOR			TITLE	SPACER PARTS

PROJECT : Investigation, Design and Construction of Roads, Drains, Water Supply, Sewerage, STP, utility Ducts for Power & ICT, Reuse waterline & Avenue Plantation, compatible with trunk infrastructure in Layouts for Land Pooling Schemes for Kondamarajupalem (P), Lingayapalem (P), Uddandarayunipalem (P), Velagapudi (P) and Mandadam (P) in ZONE-7 area in Amaravati Capital City, Andhra Pradesh on EPC Basis & performance based O&M of the infrastructure created for a period of 7 Years (including DLP of 2 Years)

NOTE: All the details and concept here are developed by Tecafine Polymer Pvt. Ltd. after continues research and development and is the intellectual property of Tecafine Polymer Pvt. Ltd. This design is in process of being patented. Any unauthorised review, use, disclosure dissemination, forwarding, printing or copying of this information or any action taken in credence on this information is prohibited. If in doubt contact us on WWW.TECAFINE.COM

UNLESS OTHERWISE SPECIFIED
DIMENSIONS ARE IN MILLIMETERS
ANGLES ±X.X°
2 PL ±X.XX 3 PL ±X.XXX

CONFIDENTIAL DESIGN (R)

SIZE	DWG NO	REV
A4	TPPL/2018-19/0124	04
CLIENT:		
SCALE: N/A	WEIGHT: 0.25 kg	SHEET 5 OF 7