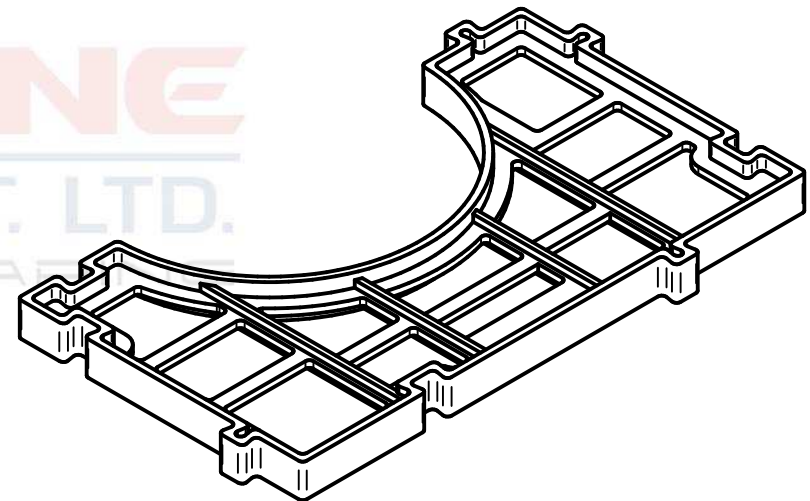
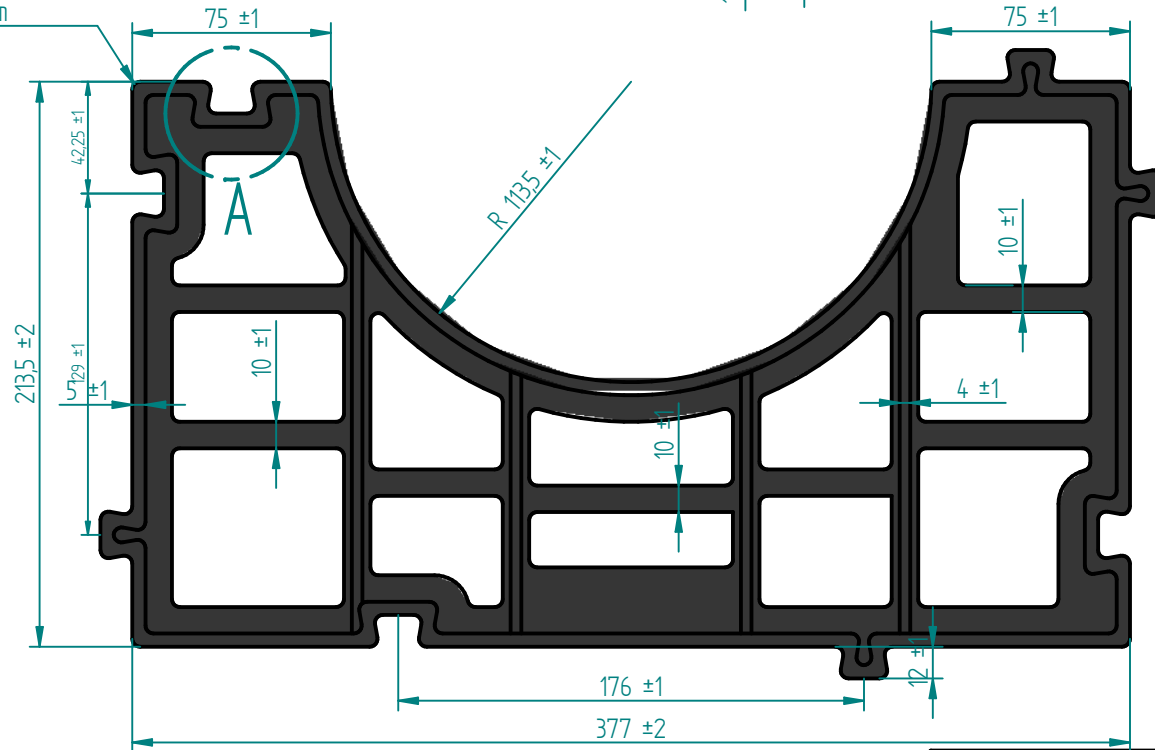


DETAIL A

ALL FILLETS  
R 3mm



	NAME	DATE			
DRAWN	Dhaval Patel	29-01-2019			
CHECKED	Vipul Parmar	29-01-2019			
MATERIAL	ABS				
DESIGNED FOR	L&T CONSTRUCTION		TITLE	SPACER PARTS	
PROJECT :	Investigation, Design and Construction of Roads, Drains, Water Supply, Sewerage, STP, utility Ducts for Power & ICT, Reuse waterline & Avenue Plantation, compatible with trunk infrastructure in Layouts for Land Pooling Schemes for Kondamarajupalem (P), Lingayapalem (P), Uddandarayunipalem (P), Velagapudi (P) and Mandadam (P) in ZONE-7 area in Amaravati Capital City, Andhra Pradesh on EPC Basis & performance based O&M of the infrastructure created for a period of 7 Years (including DLP of 2 Years)		SIZE	DWG NO	REV
<b>NOTE:</b> All the details and concept here are developed by Tecafine Polymer Pvt. Ltd. after continues research and development and is the intellectual property of Tecafine Polymer Pvt. Ltd. This design is in process of being patented. Any unauthorised review, use, disclosure dissemination, forwarding, printing or copying of this information or any action taken in credence on this information is prohibited. If in doubt contact us on <a href="http://WWW.TECAFINE.COM">WWW.TECAFINE.COM</a>	UNLESS OTHERWISE SPECIFIED DIMENSIONS ARE IN MILLIMETERS ANGLES ±X.X° 2 PL ±X.XX 3 PL ±X.XXX <b>CONFIDENTIAL DESIGN</b>		A4	TPPL/2018-19/0124	04
			CLIENT:	ANDHRA PRADESH CAPITAL REGION DEVELOPMENT AUTHORITY, LENIN CENTER, GOVERNORPET, VIJAYAWADA - 520002, ANDHRA PRADESH.	
			SCALE: N/A	WEIGHT: 0.340KG	SHEET 1 OF 7

PROJECT : Investigation, Design and Construction of Roads, Drains, Water Supply, Sewerage, STP, utility Ducts for Power & ICT, Reuse waterline & Avenue Plantation, compatible with trunk infrastructure in Layouts for Land Pooling Schemes for Kondamarajupalem (P), Lingayapalem (P), Uddandarayunipalem (P), Velagapudi (P) and Mandadam (P) in ZONE-7 area in Amaravati Capital City, Andhra Pradesh on EPC Basis & performance based O&M of the infrastructure created for a period of 7 Years (including DLP of 2 Years)

**NOTE:** All the details and concept here are developed by Tecafine Polymer Pvt. Ltd. after continues research and development and is the intellectual property of Tecafine Polymer Pvt. Ltd. This design is in process of being patented. Any unauthorised review, use, disclosure dissemination, forwarding, printing or copying of this information or any action taken in credence on this information is prohibited. If in doubt contact us on [WWW.TECAFINE.COM](http://WWW.TECAFINE.COM)