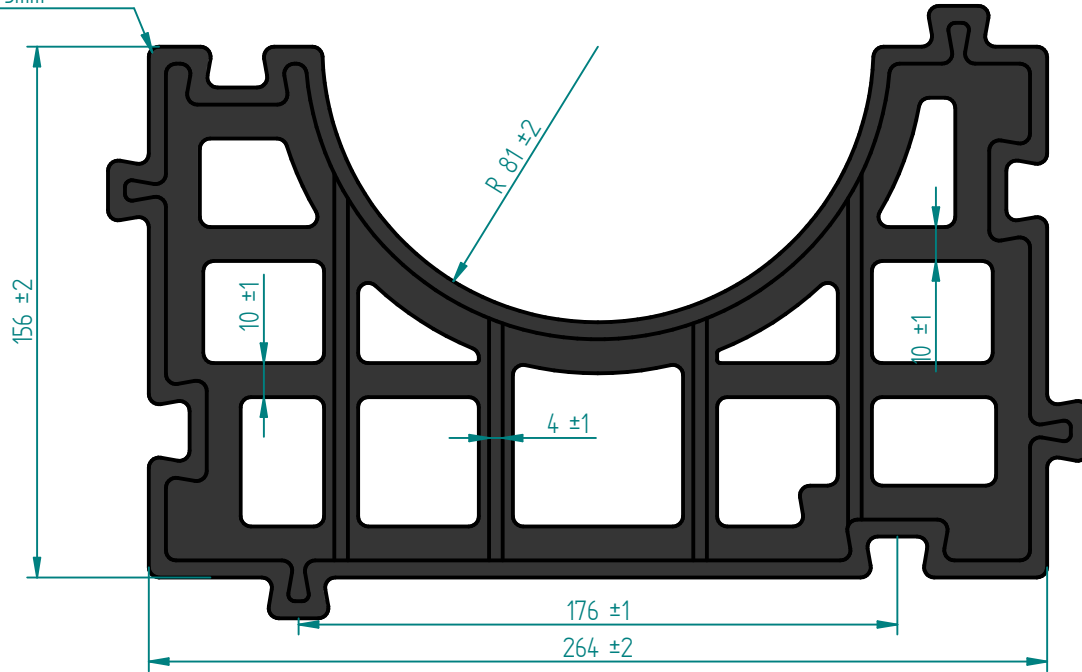
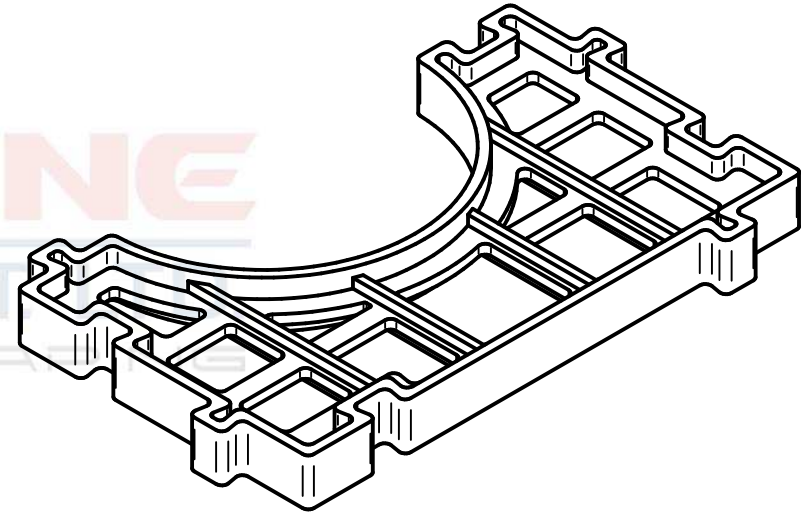


ALL FILLETS
R 3mm



FINE
PVT
SHAPING



	NAME	DATE			
DRAWN	Dhaval Patel	29-01-2019			
CHECKED	Vipul Parmar	29-01-2019			
MATERIAL	ABS				
DESIGNED FOR	L&T CONSTRUCTION		TITLE SPACER PARTS		
PROJECT :	Investigation, Design and Construction of Roads, Drains, Water Supply, Sewerage, STP, utility Ducts for Power & ICT, Reuse waterline & Avenue Plantation, compatible with trunk infrastructure in Layouts for Land Pooling Schemes for Kondamarajupalem (P), Lingayapalem (P), Uddandarayunipalem (P), Velagapudi (P) and Mandadam (P) in ZONE-7 area in Amaravati Capital City, Andhra Pradesh on EPC Basis & performance based O&M of the infrastructure created for a period of 7 Years (including DLP of 2 Years)		SIZE A4	DWG NO TPPL/2018-19/0124	REV 04
NOTE:	All the details and concept here are developed by Tecafine Polymer Pvt. Ltd. after continues research and development and is the intellectual property of Tecafine Polymer Pvt. Ltd. This design is in process of being patented. Any unauthorised review, use, disclosure dissemination, forwarding, printing or copying of this information or any action taken in credence on this information is prohibited. If in doubt contact us on WWW.TECAFINE.COM		UNLESS OTHERWISE SPECIFIED DIMENSIONS ARE IN MILLIMETERS ANGLES ±X.X° 2 PL ±X.XX 3 PL ±X.XXX CONFIDENTIAL DESIGN		
			CLIENT:		
			SCALE: N/A	WEIGHT: 0.24KG	SHEET 3 OF 7

PROJECT : Investigation, Design and Construction of Roads, Drains, Water Supply, Sewerage, STP, utility Ducts for Power & ICT, Reuse waterline & Avenue Plantation, compatible with trunk infrastructure in Layouts for Land Pooling Schemes for Kondamarajupalem (P), Lingayapalem (P), Uddandarayunipalem (P), Velagapudi (P) and Mandadam (P) in ZONE-7 area in Amaravati Capital City, Andhra Pradesh on EPC Basis & performance based O&M of the infrastructure created for a period of 7 Years (including DLP of 2 Years)

NOTE: All the details and concept here are developed by Tecafine Polymer Pvt. Ltd. after continues research and development and is the intellectual property of Tecafine Polymer Pvt. Ltd. This design is in process of being patented. Any unauthorised review, use, disclosure dissemination, forwarding, printing or copying of this information or any action taken in credence on this information is prohibited. If in doubt contact us on WWW.TECAFINE.COM

CONFIDENTIAL DESIGN