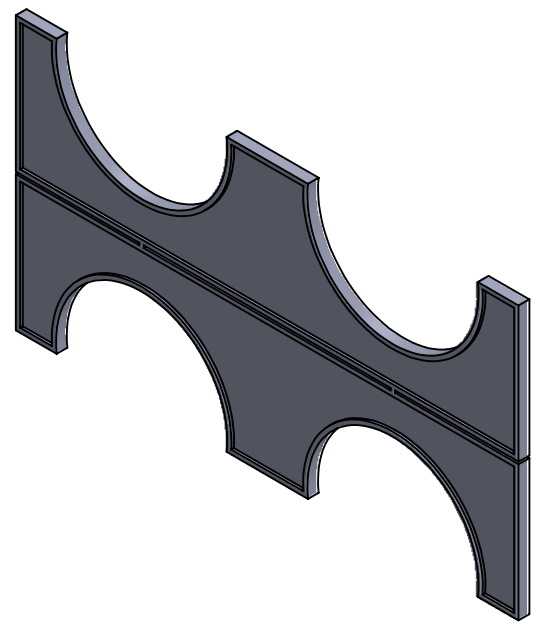
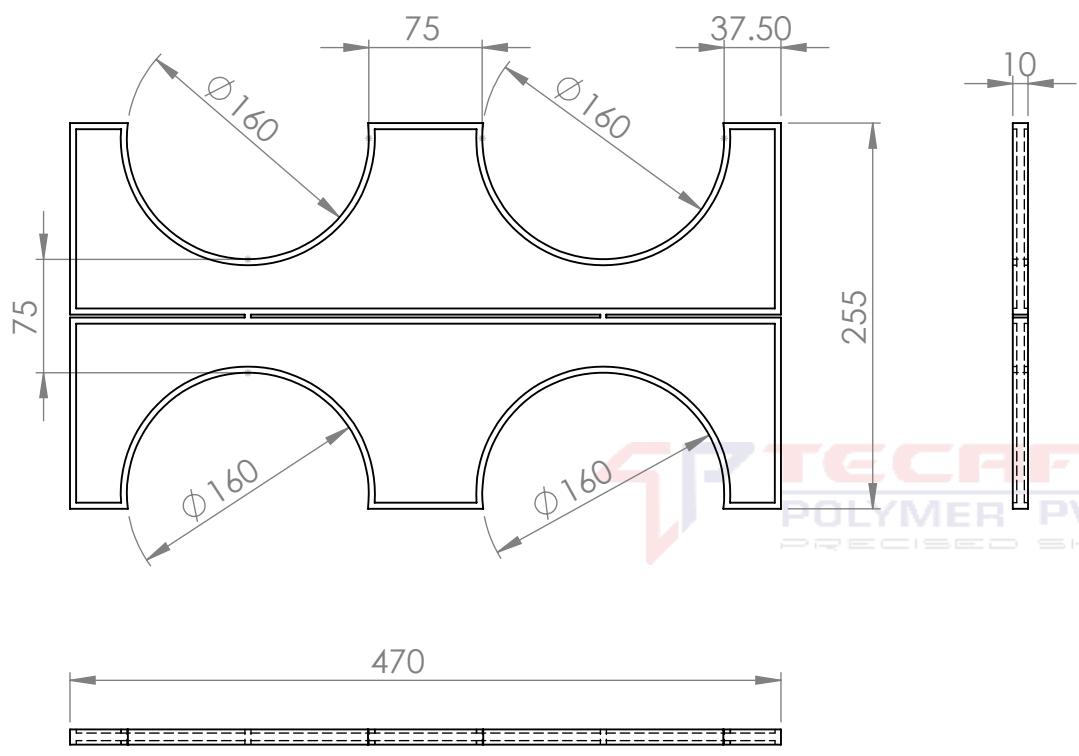


6 5 4 3 2 1

D
C
B
A

D
C
B
A



ALL DIMENSIONS ARE IN MM

NOTE:
 All the details and concept here are developed by Tecafine Polymer Pvt. Ltd. after continues research and development and is the intellectual property of Tecafine Polymer Pvt. Ltd.
 This design is in process of being patented. Any unauthorised review, use, desclosure, dissemination, forwarding, printing or copying of this information or any action taken in credence on this inforamation

	NAME	DATE		DWC SPACER 160 MM INTERMIDEATE	A4
DRAWN BY	MOHIT	03-06-2020			
APPD BY	VIPUL	03-06-2020			
CLIENT					
REV NO.					
-CONFIDENTIAL THE INFORMATION CONTAINED IN THIS DRAWING IS THE SOLE PROPERTY OF ORIGINATING COMPANY ANY PRODUCTION IN PARTIALLY OR WHOLE WITHOUT PERMISSION IS PROHIBITED			TITLE:		
WEIGHT:			DWG NO.	TPPL/2020-21/0026	
			SCALE:1:5	MATERIAL:	HDPE

6 5 4 3 2 1