

6 5 4 3 2 1

D

C

B

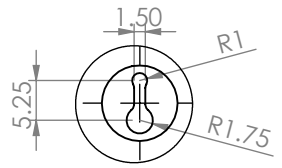
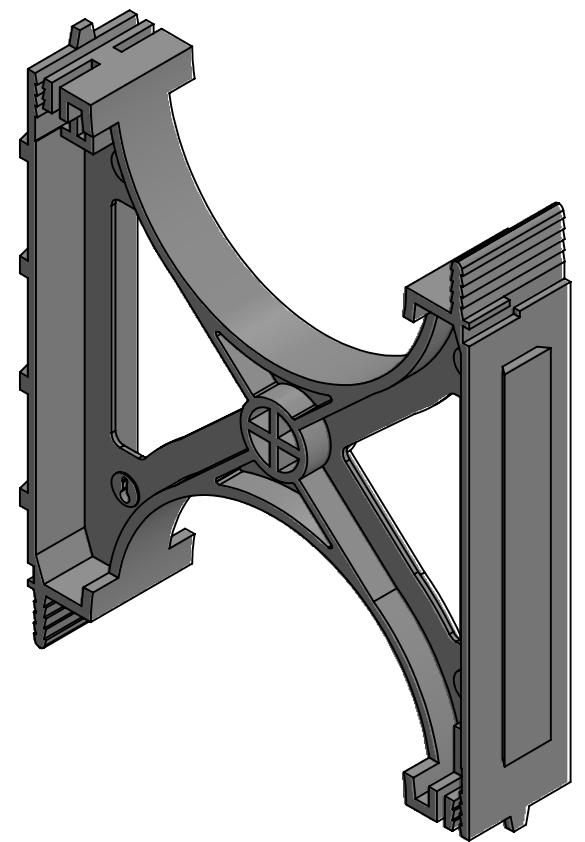
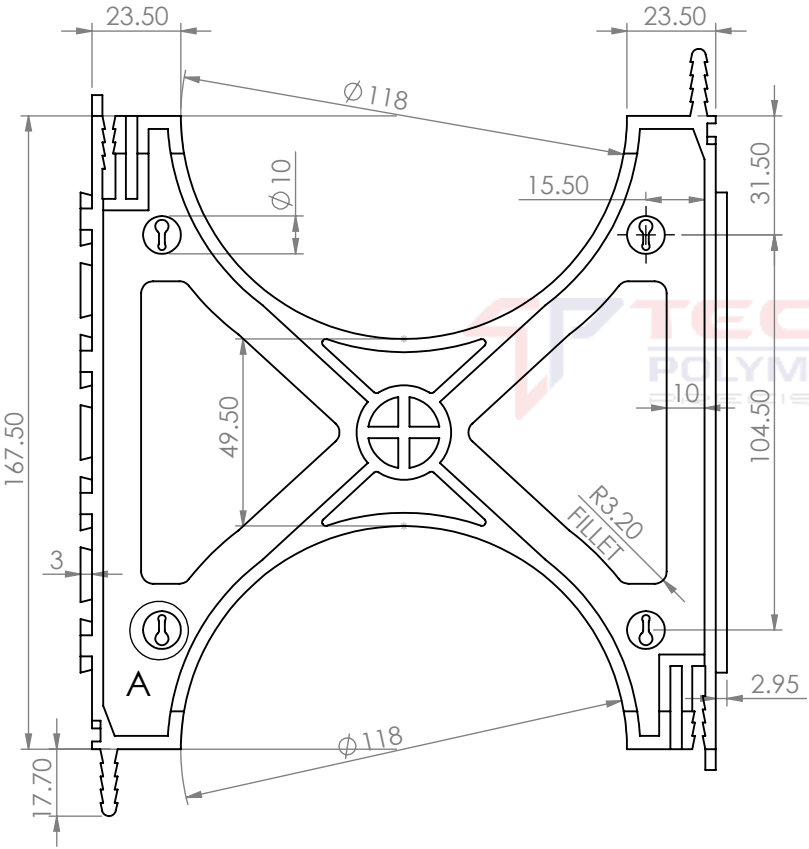
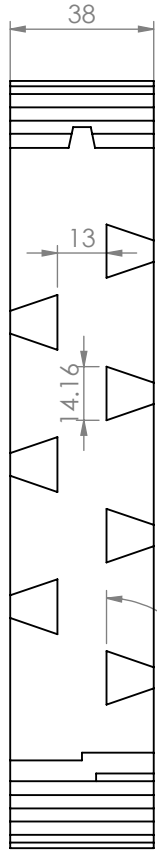
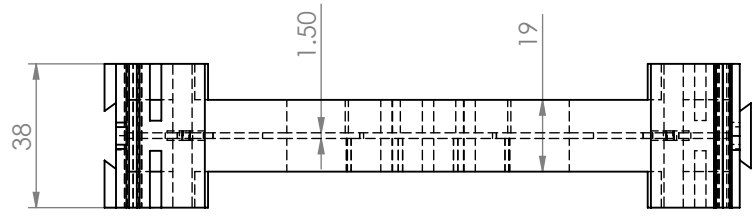
A

D

C

B


A



DETAIL A
SCALE 1 : 1

NOTE:
All the details and concept here are developed by Tecafine Polymer Pvt. Ltd. after continues research and development and is the intellectual property of Tecafine Polymer Pvt. Ltd. This design is in process of being patented. Any unauthorised review, use, disclosure, dissemination forwarding, printing or copying of this information or any action taken in credence on this information is prohibited.

ALL DIMENSIONS ARE IN MM

NAME	DATE		TITLE: INTERMIDEATE PART DIA 118 MM	A4
DRAWN BY: MOHIT	27-06-2020			
APPD BY: VIPUL	27-06-2020			
CLIENT: DELTA ELECTRICALS				
REV NO.		-CONFIDENTIAL THE INFORMATION CONTAINED IN THIS DRAWING IS THE SOLE PROPERTY OF ORIGINATING COMPANY ANY PRODUCTION IN PARTIALLY OR WHOLE WITHOUT PERMISSION IS PROHIBITED		
WEIGHT:		DWG NO. TPPL/2020-21/0093	SCALE:1:5	MATERIAL: HDPE

6 5 4 3 2 1