

6 5 4 3 2 1

D

C

B

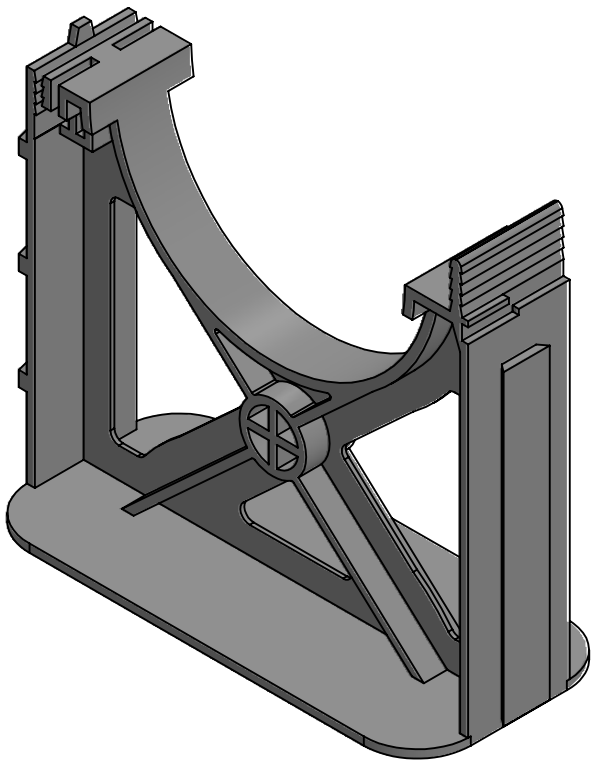
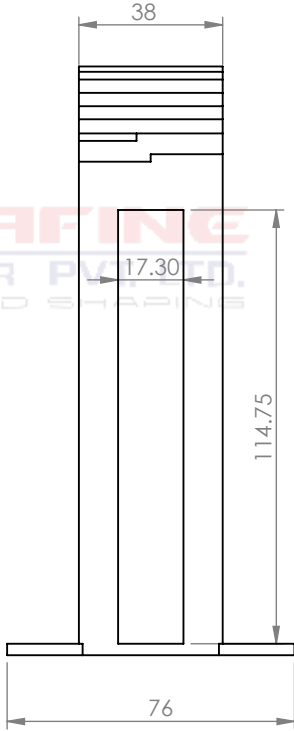
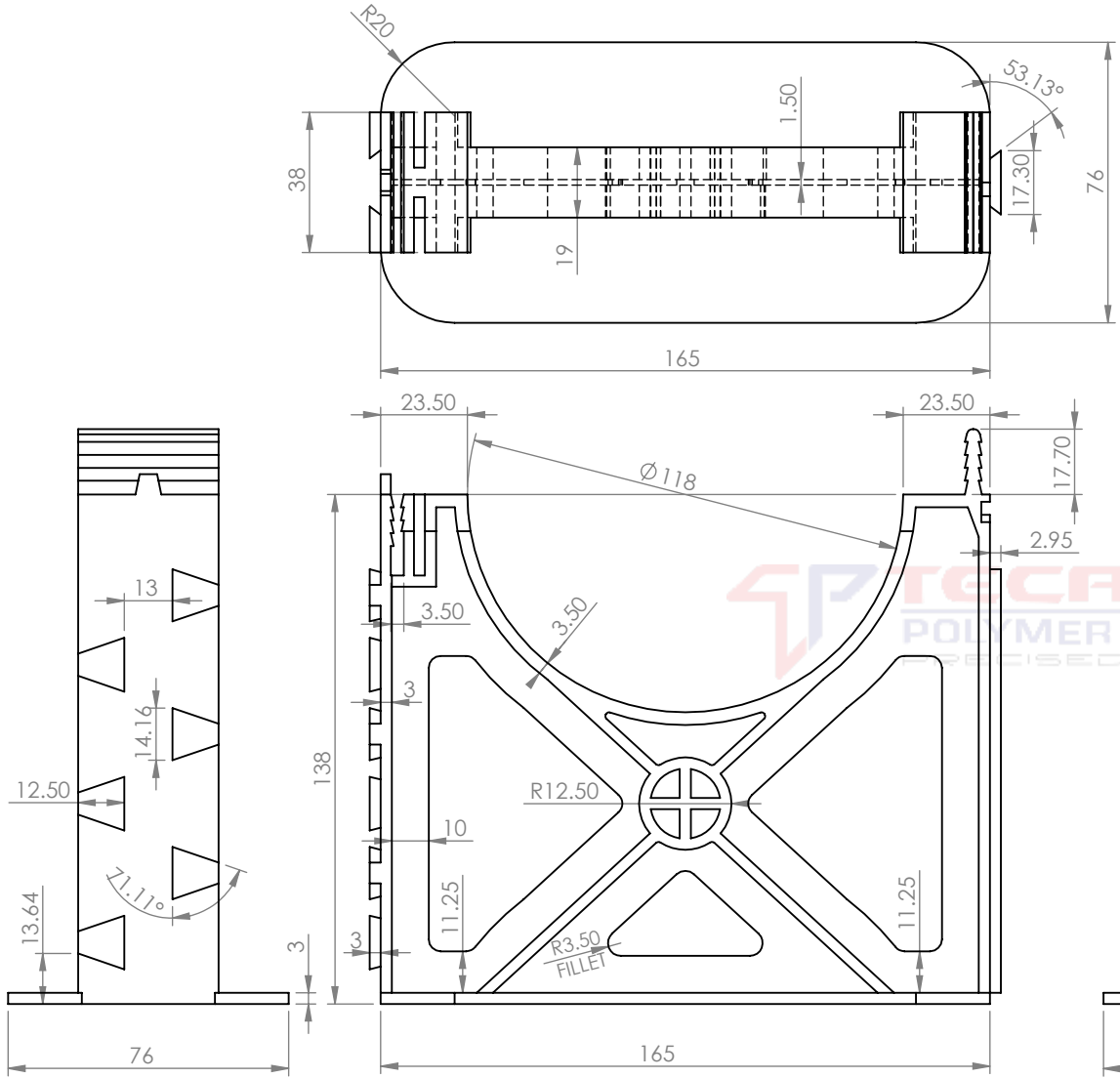
A

D

C

B

A



ALL DIMENSIONS ARE IN MM

**NOTE:**  
 All the details and concept here are developed by Tecafine Polymer Pvt. Ltd. after continues research and development and is the intellectual property of Tecafine Polymer Pvt. Ltd. This design is in process of being patented. Any unauthorised review, use, disclosure, dissemination forwarding, printing or copying of this information or any action taken in credence on this information is prohibited.

	NAME	DATE
DRAWN BY	MOHIT	27-06-2020
APPD BY	VIPUL	27-06-2020
CLIENT	DELTA ELECTRICALS	
REV NO.		
-CONFIDENTIAL-		
THE INFORMATION CONTAINED IN THIS DRAWING IS THE SOLE PROPERTY OF ORIGINATING COMPANY ANY PRODUCTION IN PARTIALLY OR WHOLE WITHOUT PERMISSION IS PROHIBITED		
WEIGHT:		



TITLE:	<b>BASE PART DIA 118 MM</b>	A4
DWG NO.	TPPL/2020-21/0092	
SCALE:	1:5	MATERIAL: HDPE

6 5 4 3 2 1