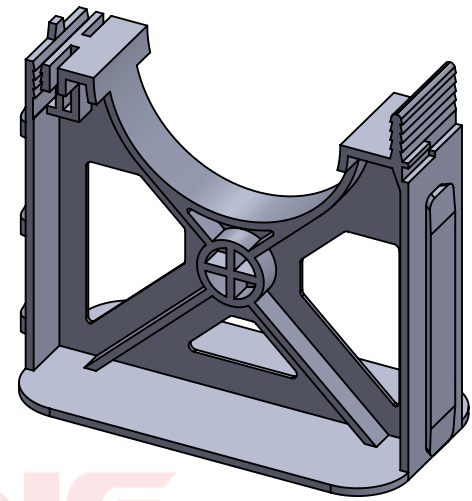
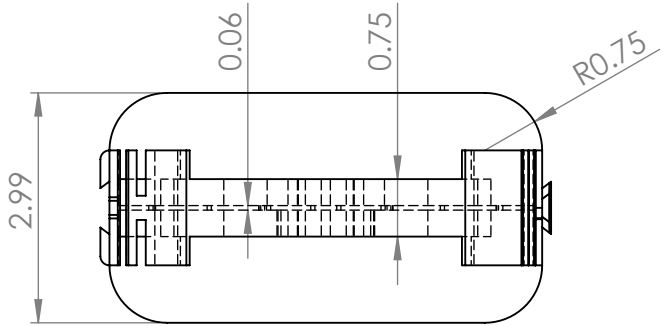


6 5 4 3 2 1

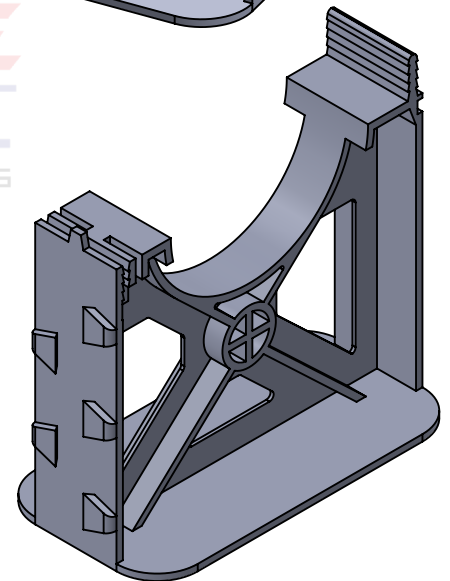
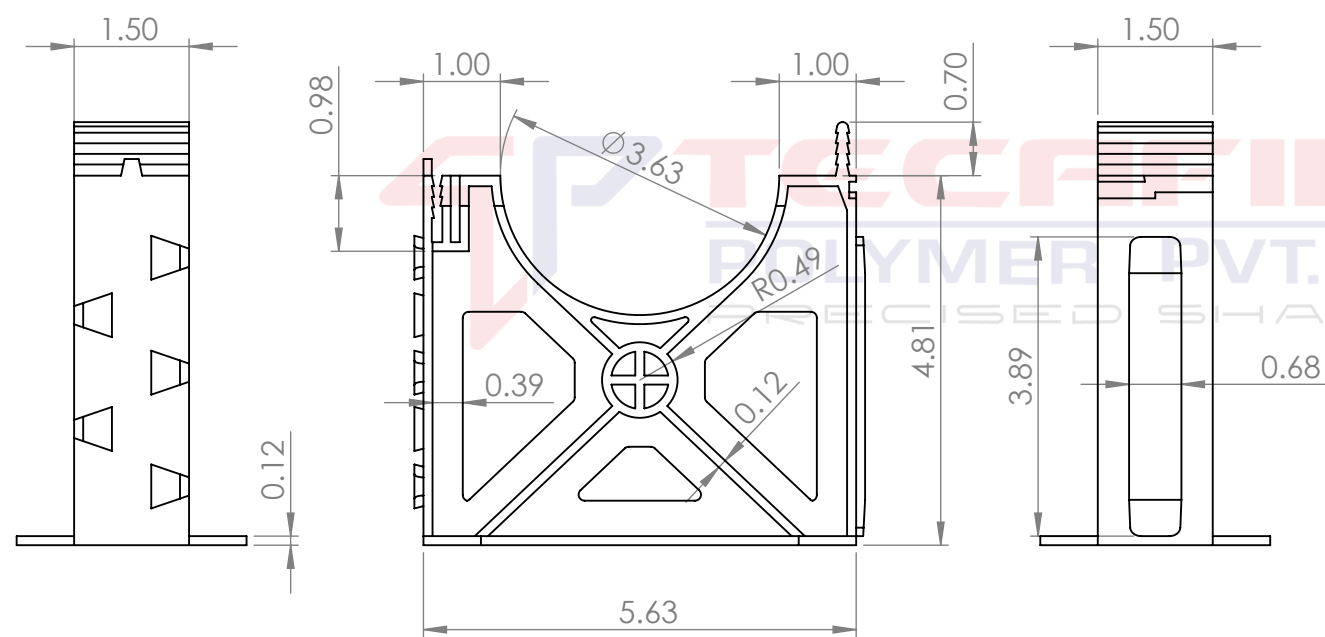
D

D



C

C



B

B

ALL DIMENSIONS ARE IN INCH

A

A

NOTE:

All the details and concept here are developed by Tecafine Polymer Pvt. Ltd. after continues research and development and is the intellectual property of Tecafine Polymer Pvt. Ltd. This design is in process of being patented. Any unauthorised review, use, disclosure, dissemination forwarding, printing or copying of this information or any action taken in credence on this information is prohibited.

	NAME	DATE
DRAWN BY	MOHIT	21-07-2021
APPD BY	VIPUL	21-07-2021
CLIENT		
REV NO.		
-CONFIDENTIAL THE INFORMATION CONTAINED IN THIS DRAWING IS THE SOLE PROPERTY OF ORIGINATING COMPANY ANY PRODUCTION IN PARTIALLY OR WHOLE WITHOUT PERMISSION IS PROHIBITED		
WEIGHT:		



TITLE:	D3.63 inch base S288LJN	A4
DWG NO.	TPPL/2021-22/0152	
SCALE:	1:2.5	MATERIAL: ABS

6 5 4 3 2 1